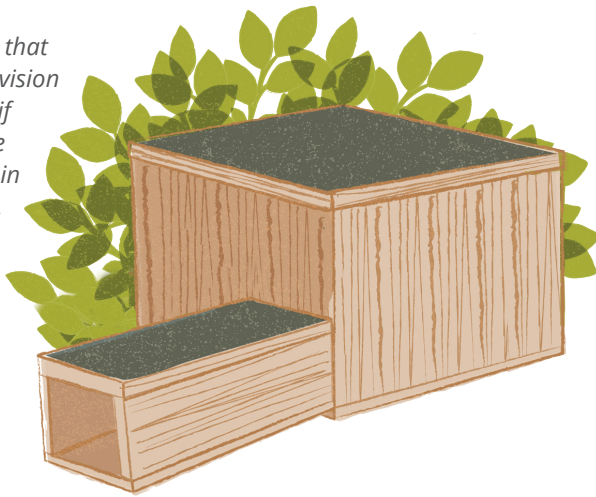


DIY hedgehog house



To make your own hedgehog house, follow our simple instructions. Don't forget to record this Naturespace action in your My Naturespace area of the Naturehood website.

Please note that adult supervision is required if children are taking part in this activity.

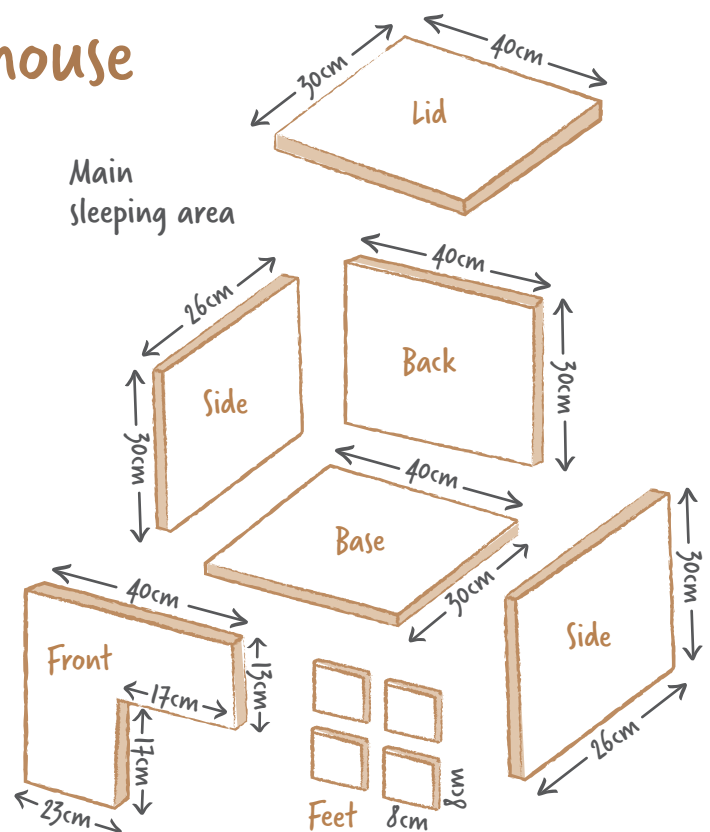
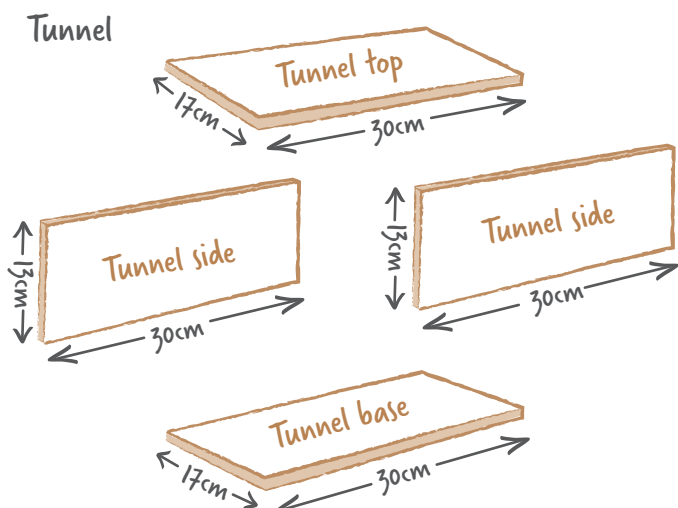


Equipment

- Pencil
- Tape measure
- Ruler
- Saw
- Hammer/screwdriver
- Nails/screws
- Two metal hinges
- Untreated wood (eg 20 mm FSC plywood boards)
- Protective equipment (gloves, eye protection)
- Roofing felt/waterproof cover (optional)

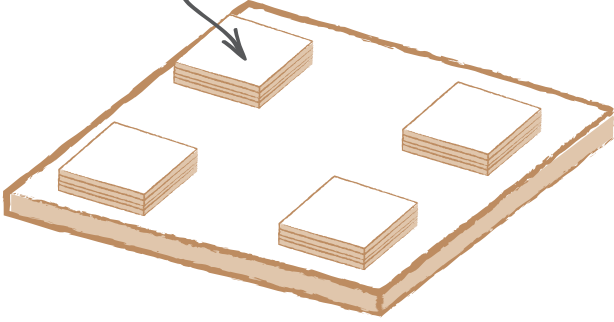
How to build a hedgehog house

Step 1: Cut the untreated wood into the correct dimensions

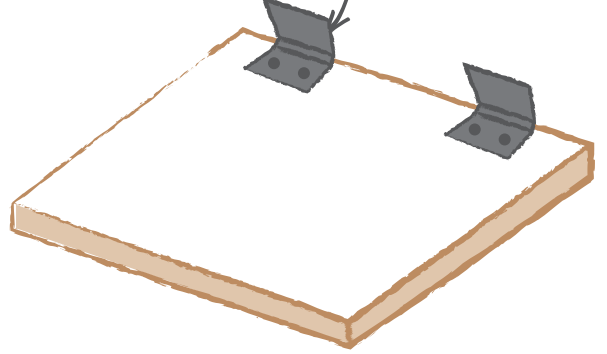


Step 2: Build the main sleeping area

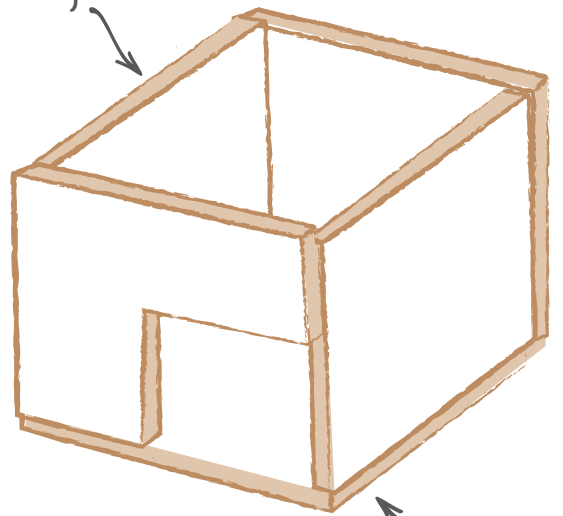
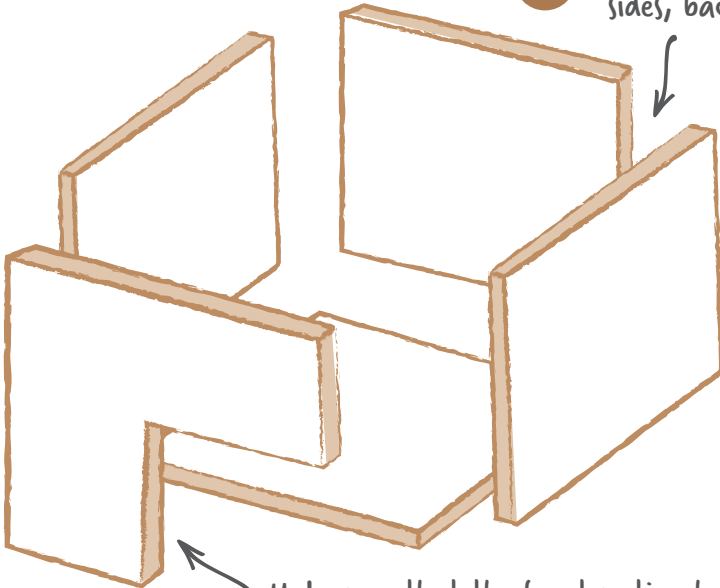
A Attach the feet to the base



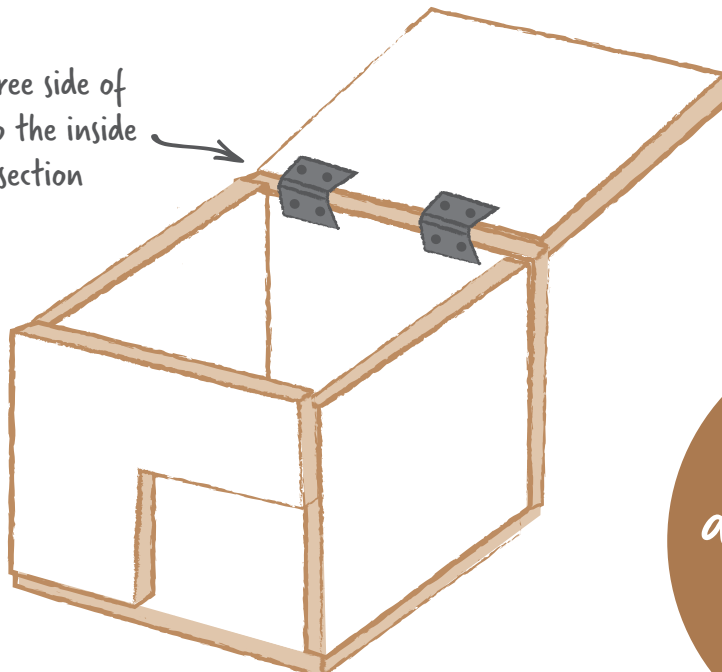
B Attach the hinges to the lid



C Using nails or screws, fit the base, sides, back and front together



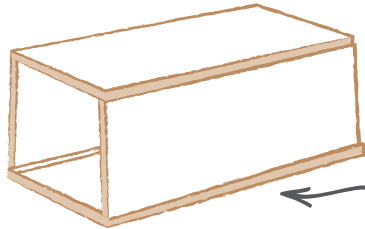
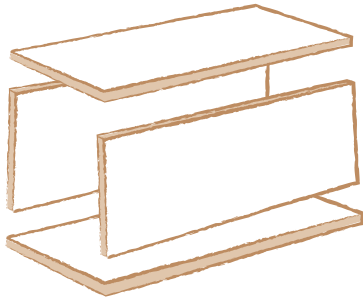
D Attach the free side of the hinges to the inside of the back section



Your sleeping area should now be complete!

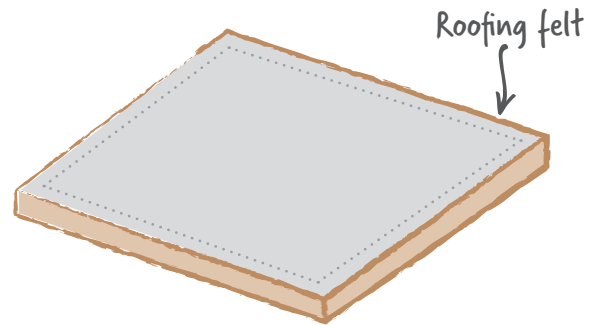
Step 3: Build the tunnel

Using nails or screws, fit the base, sides and top of the tunnel together



Note that the sides of the tunnel sit on top of the base

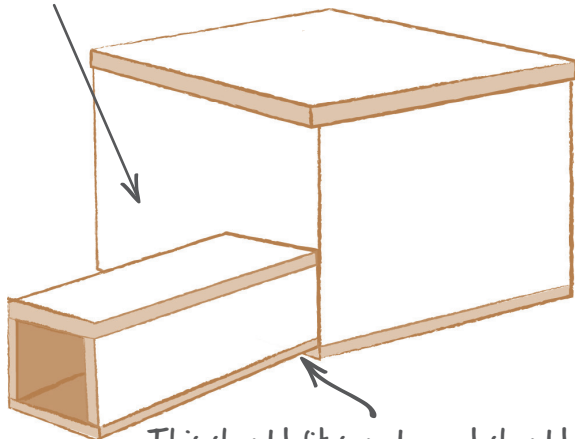
Step 4: Optional - cover the top of your hedgehog house



To make your hedgehog house more waterproof, you could cover the top of the main area and the tunnel in roofing felt or a similar waterproof material.

Step 5: Combine your sleeping area and tunnel to complete your hedgehog house!

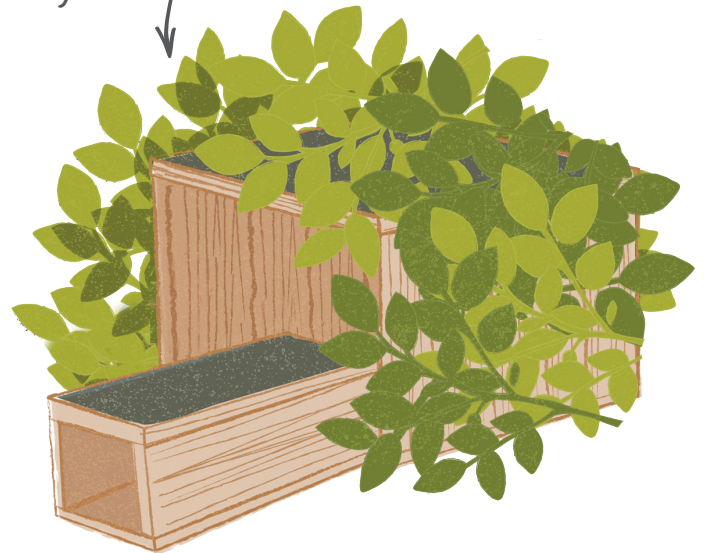
Push the tunnel so that it fits inside the square gap in the front panel of the main sleeping area



This should fit snugly and shouldn't need to be fixed on with nails

Step 6: Install your hedgehog house in your Naturespace

Place your hedgehog house in a quiet, shady area



Hedgehogs prefer houses along boundaries, in sheltered locations. They also prefer back gardens, and are happy to be close to your house.

This tunnel should slope downwards slightly, so that hedgehogs can enter from ground level, and so that rainwater doesn't drain into the main sleeping area.

Based on designs by PTEs